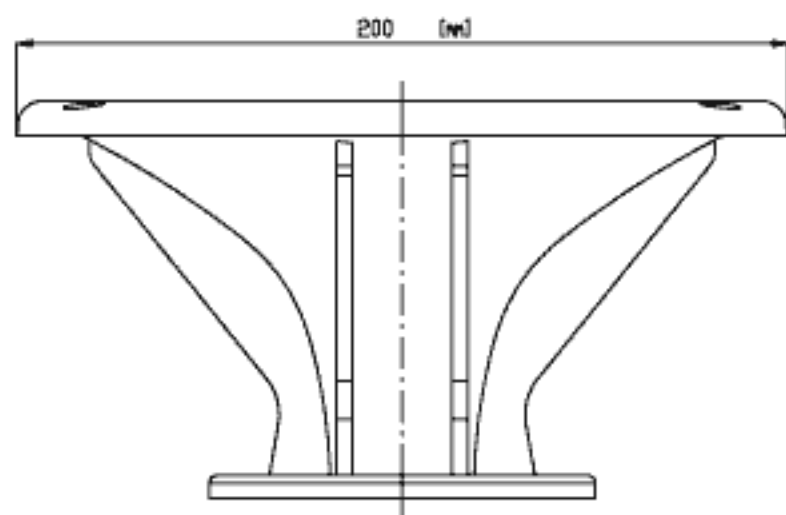


- nr.3 fori $\varnothing 5.25$ [mm] a 120°
sul diametro $\varnothing 57$ [mm]
- nr.3 holes $\varnothing 5.25$ [mm] to 120°
on the diameter $\varnothing 57$ [mm]

- nr.4 fori $\varnothing 6.25$ [mm] a 90°
sul diametro $\varnothing 76$ [mm]
- nr.4 holes $\varnothing 6.25$ [mm] to 90°
on the diameter $\varnothing 76$ [mm]



nr.4 fori per viti M6
nr.4 holes for screws M6

