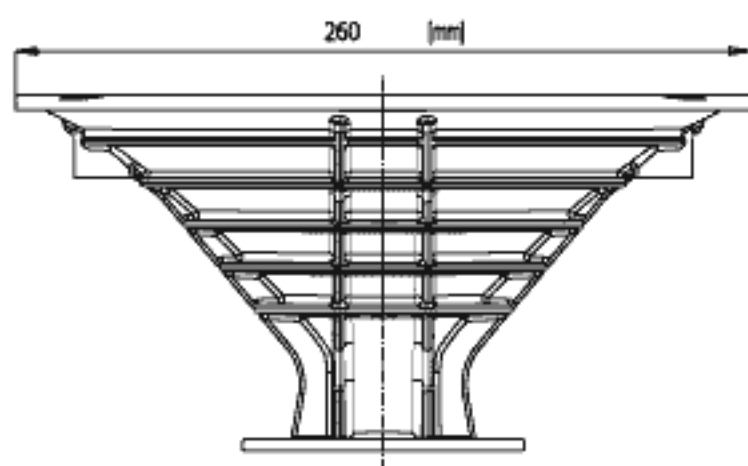


- nr.3 fori $\varnothing 5.25$ [mm] a 120°
 sul diametro $\varnothing 57$ [mm]
 - nr.3 holes $\varnothing 5.25$ [mm] to 120°
 on the diameter $\varnothing 57$ [mm]

- nr.4 fori $\varnothing 6.25$ [mm] a 90°
 sul diametro $\varnothing 76$ [mm]
 - nr.4 holes $\varnothing 6.25$ [mm] to 90°
 on the diameter $\varnothing 76$ [mm]



- nr.4 fori per viti a
 testa svasata plana M6
 - nr.4 holes for
 flathead screws M6

