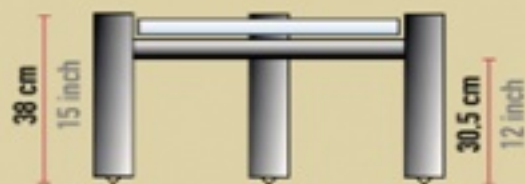
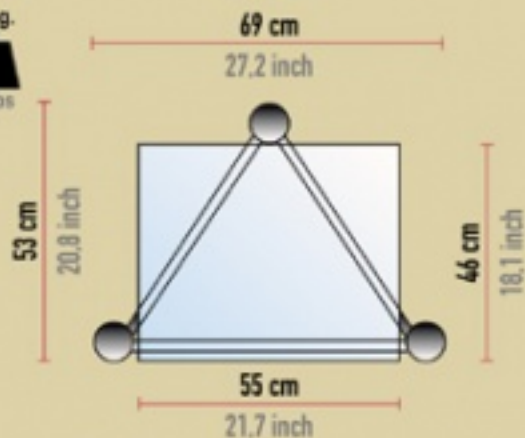


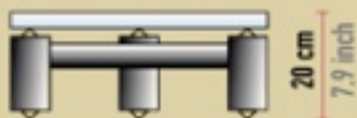
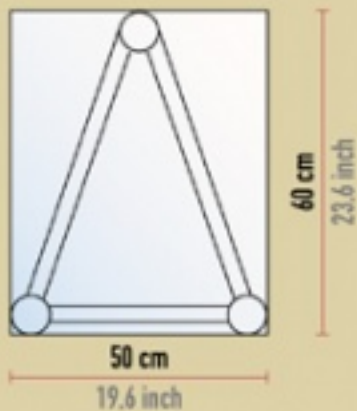
[ISOstatic]

120 kg.
264 lbs



[ISOstatic flooramp]

120 kg.
264 lbs



[ISOstatic grand]

120 kg.
264 lbs

