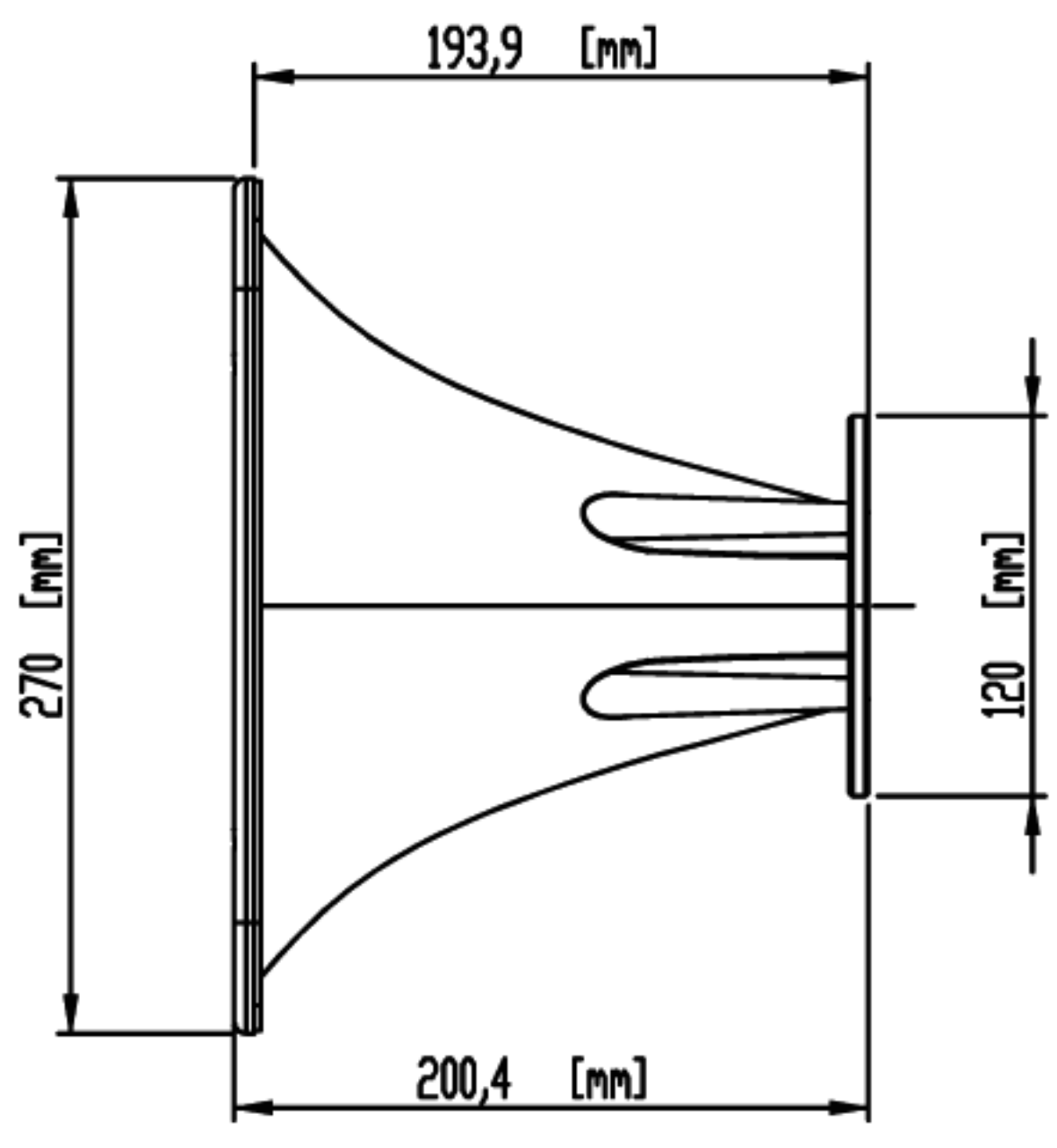
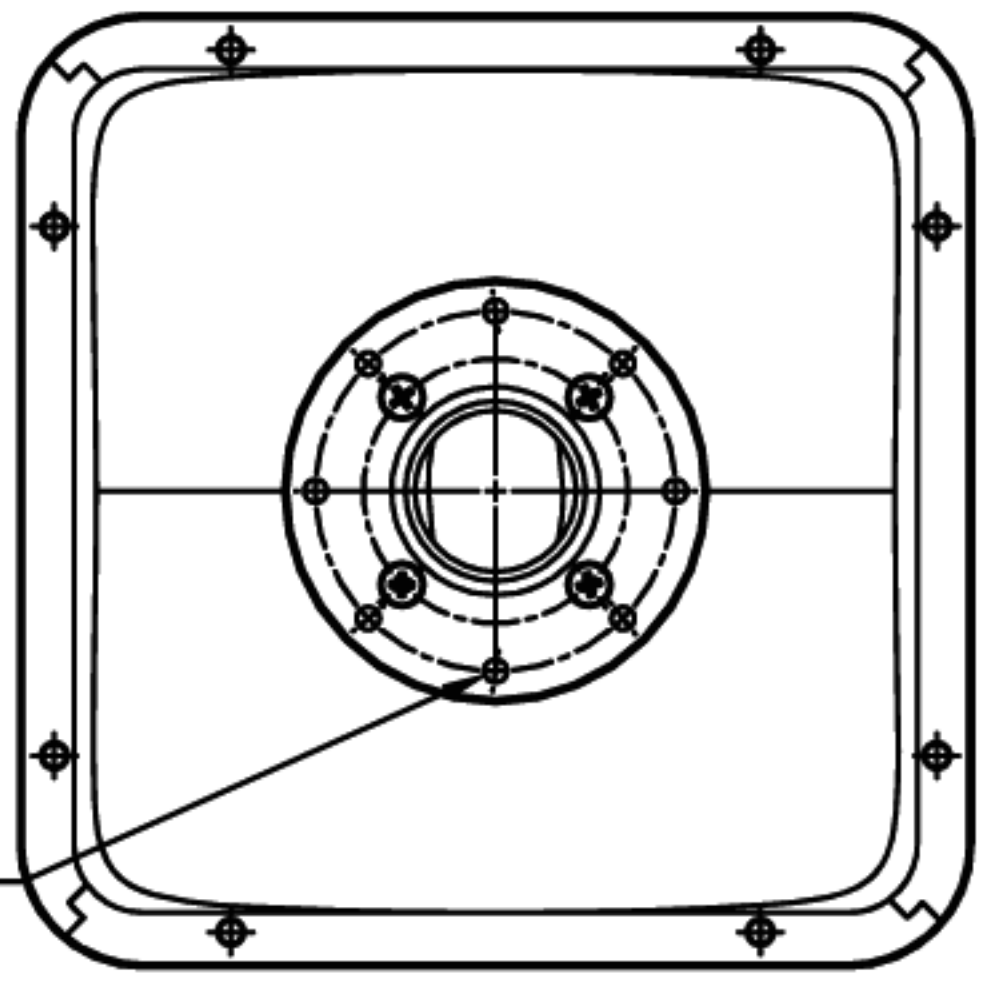


nr.8 holes for flathead screws M6
to 45° on the diameter Ø 102



nr.8 holes for flathead screws M6

